

120 X 60 Surface Mounted Panel-2D



SKU Code : E805
EAN Code : 5060774552995

Window Style LED Panel Set 120 X 60 Surface Mounted Set Of 2 Units London Skyline Design



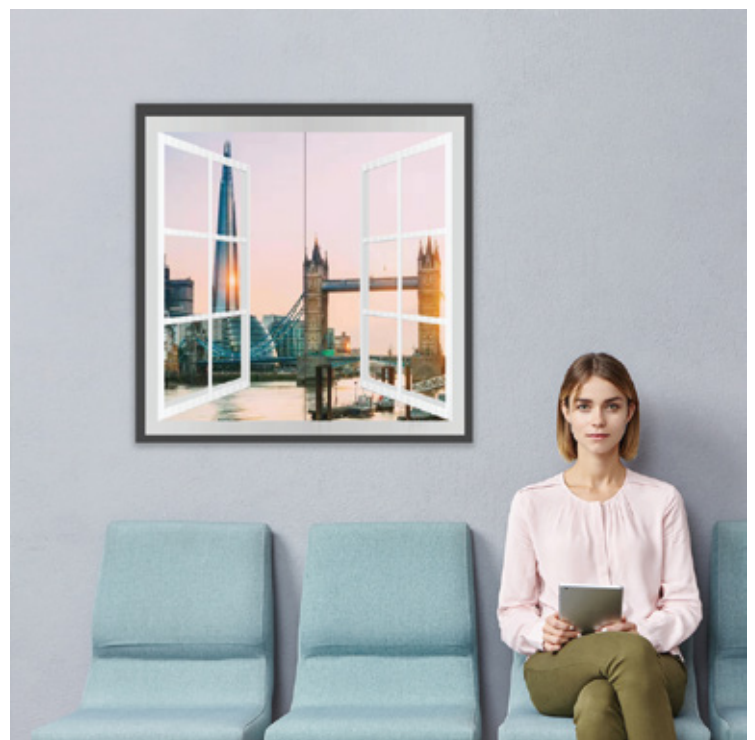
Technical Specifications:

Size	Backlite surface 600*1200*38mm
Power	60w (2drivers each panel)
Lumen	100lm/w(lm is different from normal panel)
Picture	2D London Skyline Design with window, 2pcs/set
Diffusor	PS
Driver	AC220-240v, flicker-free, CE/EMC, 3 years warranty



DESCRIPTION

Ideal to create the perfect ambiance in an office, meeting room, foyer or waiting room. The unique artificial sky light along with landscape view creates the illusion of having a beautiful view outside your window





Installation Guide

LED Panel Light - Landscape

AC220-240V 50/60Hz

Model No.: ZL-010-60W SKU:E804/E805

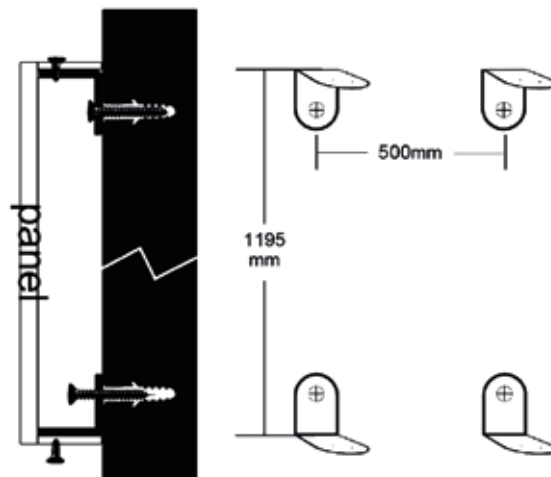
Warning

- ▶ Turn power off before inspection, installation or removal.
- ▶ For indoor use only.
- ▶ No excessive exposure to sunshine to avoid fast aging of materials.
- ▶ Do NOT store or install the lights in environments with high humidity, heat, strong magnets, heavy dusts or oil fumes.
- ▶ Do NOT disassemble the lights. Always turn to distributors or professional electricians for assistance.
- ▶ Fragile, please handle with care - Do NOT shake, bend, scratch or squeeze.

Applications

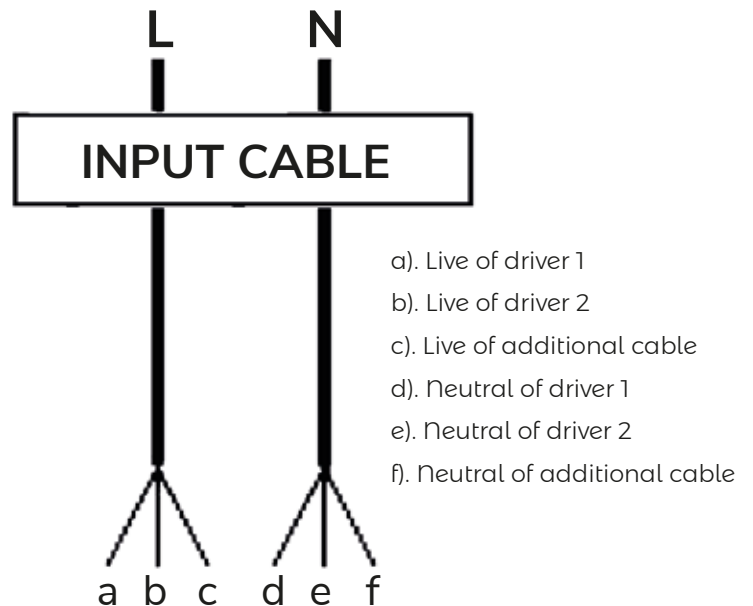
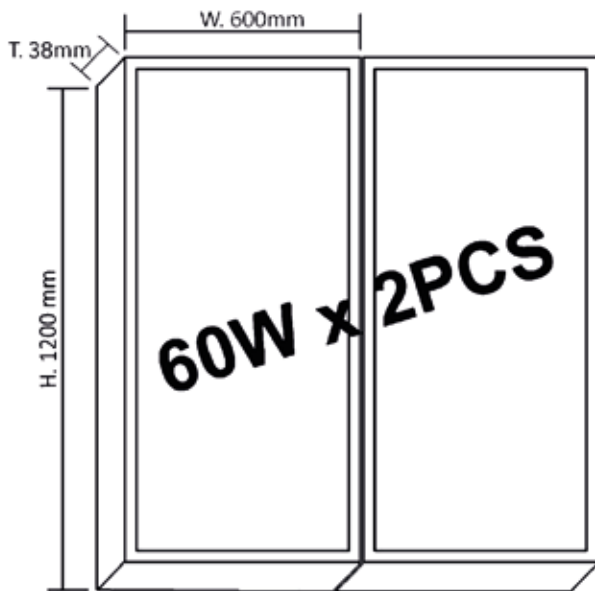
The LED panel light - landscape kit - is designed to mount on the wall in the room with few or no sunshines. They offer a very attractive and aesthetic appearance, and provide auxiliary lighting function. The flicker free light rays can also release fatigue of eyes.

ITEM ENCLOSED	NUMBER
Panel	2
Driver	4
L-shaped bracket	8
Long screw	8
Short screw	8
Plastic anchor	8



side view with panel / front view w/o panel

- 1 Use the long screws and plastic anchors to fix 2 L-shaped brackets with vertical distance 1195mm on the wall; fix another 2 brackets same way with distance 500mm between 2 horizontal screw holes.
- 2 Prepare an additional 50-60cm long 3-core cable (not enclosed).
- 3 Twist the conductor parts of 3 live wires (brown) - 2 from drivers and 1 from the additional cable — and then fasten them together on the terminal block. Accordingly fasten the live wire (brown) of input cable at the correspondent pole.
- 4 Repeat the a/m step for neutral wires (blue).
- 5 Connect the DC plugs between drivers and panels.
- 6 For 1st panel: insert the input cables from the holes at the top corner and the additional cable at right bottom corner; and cover the pane on the wall fixing with short screws at the centre of top and bottom.
- 7 For 2nd panel: insert the additional cable from the hole at left side; and cover the panel on the wall. Move the panel leftwards till there is no gap between the 2 panels, and then fasten the short screws at the centre of top and bottom.



Thank you for choosing ENER-J!

Customer satisfaction is our TOP priority, please let us know how you felt about your experience. Happy? We are so happy that you are pleased with our product. Feel free to express your newfound joy! Share your experience by writing a review.

Not Happy? If you are not fully satisfied with the item you received, have any problems like damages, or questions, please contact us. We typically respond within 24-48 hours.

Stuck? Confused?

Contact our Technical Support team on:

T: +44 (0)2921 252 473 E: support@ener-j.co.uk

Lines are open Mon - Fri (8am to 4pm)